

## Standard Preparation Freestanding Hand Wash Basin

ITEM # \_\_\_\_\_

MODEL # \_\_\_\_\_

NAME # \_\_\_\_\_

SIS # \_\_\_\_\_

AIA # \_\_\_\_\_



132951 (NLPD)

Free-standing Hand Wash Sink with 1 upper bowl with Mixer spout and drain hole and 1 lower bowl with Mixer spout, drain hole and support grid

### Short Form Specification

Item No. \_\_\_\_\_

Made from 304 AISI stainless steel. Upper bowl mm340x240x150h with mixer spout and drain hole. Lower bowl mm 340x340x160h with mixer spout, drain hole and support grid.

### Main Features

- Easy to clean thanks to the rounded bowl and corners.
- Washbasin can be equipped with a wall panel plus paper and soap dispensers as optional extras.
- Sturdiness, stability and reliability of table accurately tested.

### Construction

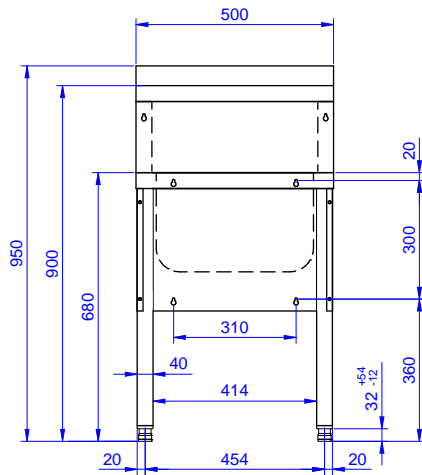
- Mixer spout, ½" in diameter and drain hole supplied as standard.
- Constructed entirely in 18/10 stainless steel.
- Sound deadened pressed bowl with rounded corners and all-round lip to prevent overspill.
- Rear upstand 30 mm in height and 1.5 mm thick.
- Syphon included in the delivery.
- Upper hand washbasin (dimensions 300x240x150) and a lower drainage sink with a steel support grid
- Square section feet (40x40mm).
- Wide range of taps are available to suit every need.
- 100 mm upstand with 10 mm radiused corner and 13 mm deep, designed to be used against a wall.

### Optional Accessories

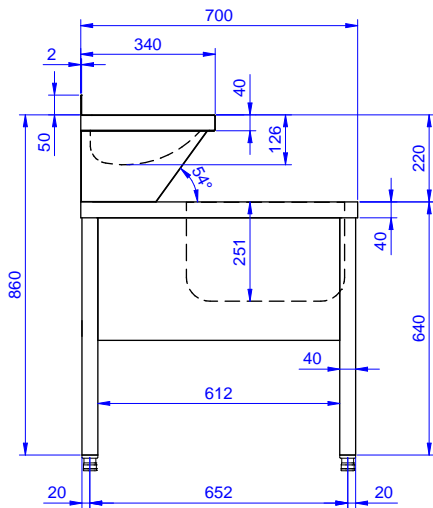
- Single plastic drain syphon 1,5 " for work tables with bowl PNC 855306

APPROVAL: \_\_\_\_\_

Front

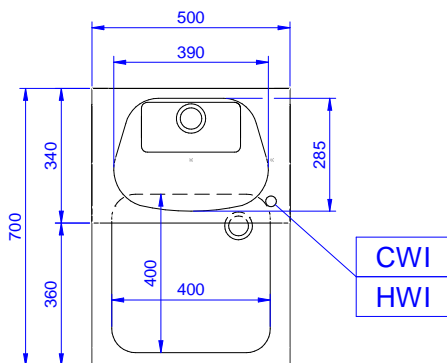


Side



CWI = Cold Water inlet 1 (cleaning)  
 D = Drain  
 HWI = Hot water inlet

Top


**Water:**

Water drain outlet size:

132951 (NLPD)

1"1/2

**Key Information:**

External dimensions, Width:	500 mm
External dimensions, Depth:	700 mm
External dimensions, Height:	950 mm
Bowls number	1
Bowl dimensions	340x340xH160
Worktop thickness:	50 mm
Net weight:	50 kg